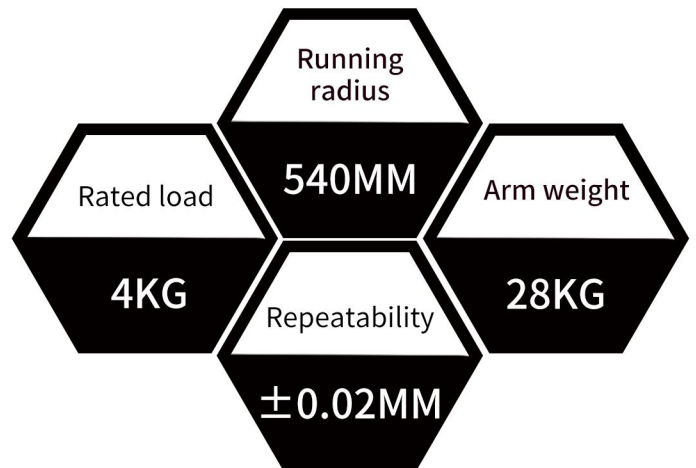
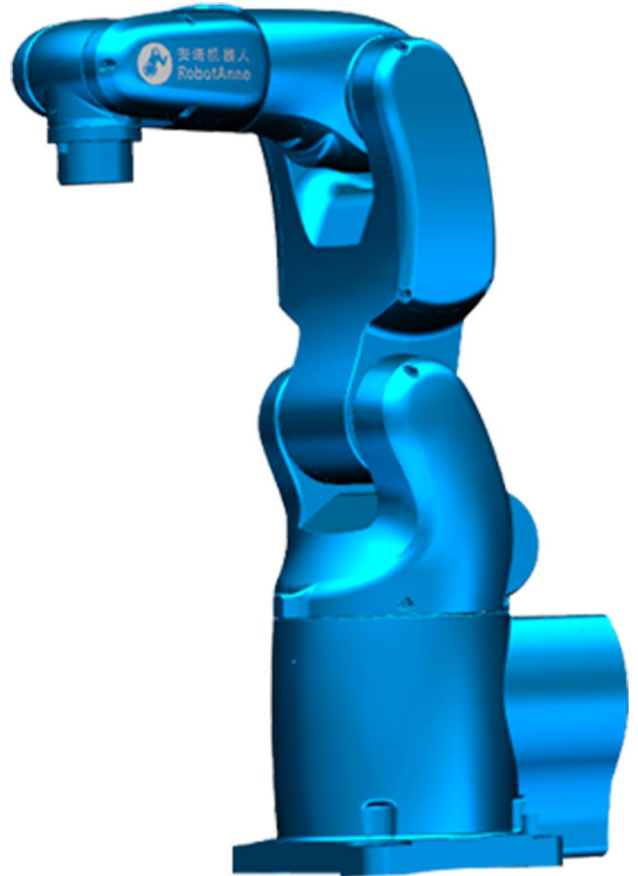


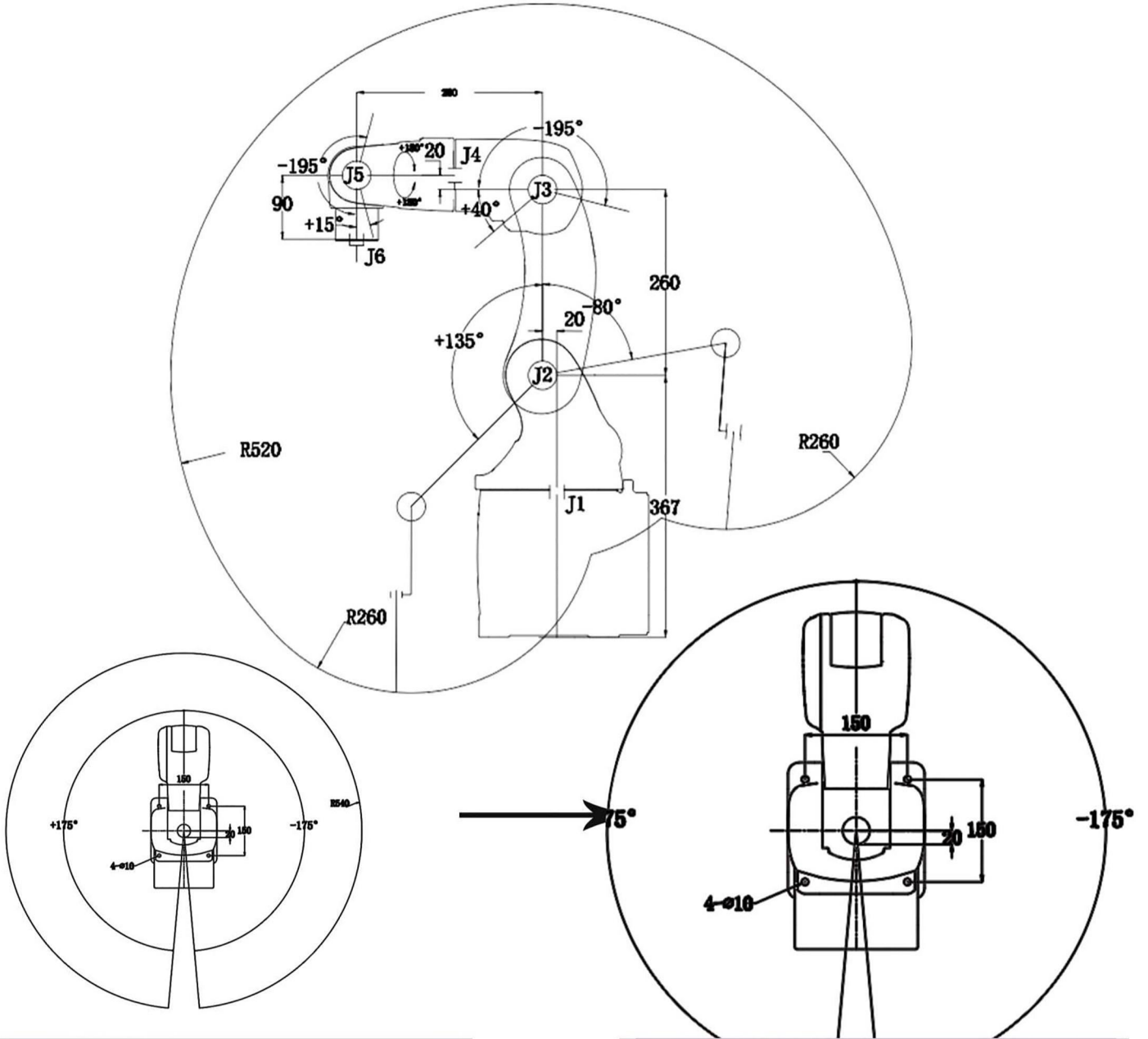
# Product Information

## Q604-B

Project		Parameter
Degree of the freedom		6
Working radius		540MM
Maximum load		5KG
Rated load		4KG
Working range	J1	-175°~+175°
	J2	-135°~+80°
	J3	-195°~+40°
	J4	-175°~+175°
	J5	-195°~+120°
	J6	-180°~+180°
Position repeatability		±0.05-0.02MM
Fuselage material		6061 Aluminum alloy
Body weight		28KG
Input voltage		220V
Power plant		AC Servo Motor
Reduction gear		Harmonic deceleration
Environmental requirements	Temperature	5°C-40°C
	Humidity	10%-80%
Installation		Table top,side mout,flip mount
Maximum speed	J1	180°/SEC
	J2	224.9°/SEC
	J3	224.9°/SEC
	J4	210°/SEC
	J5	450°/SEC
	J6	450°/SEC



# Range Diagram



Flange drawing

Base installation drawing

